



AVC-VHN41AVLT/V2 AI

NDA
A COMPLIANT | CE | FC

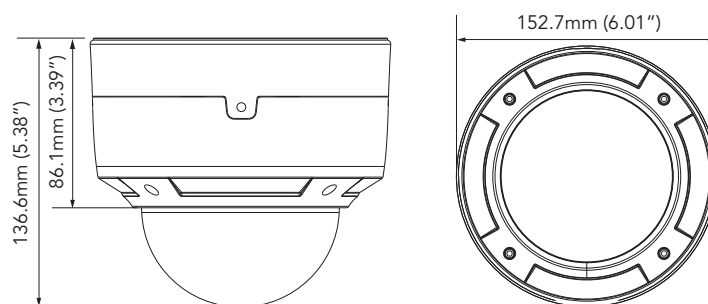
4MP H.265 IR OUTDOOR DOME CAMERA

OVERVIEW

- Smart H.265 / H.265+ / H.265 / Smart H.264 / H.264+ / H.264 / MJPEG coding
- Max. Resolution: 4MP (2592 x 1520)
- ICR auto switch, True Day/Night vision
- IR Illumination up to 164ft
- 3D DNR, True WDR, HLC, BLC, Defog, Smart IR and ROI encoding
- Support image distortion correction
- Motorized zoom lens
- Supports Local CVBS Video Output and Two Way Audio
- Built-in micro SD card slot with video and still image capture function (up to 256GB)
- IP67 & IK10
- DC12V / PoE power supply
- Support Three Streams
- Support remote monitoring by smart phones & tablet PCs with iOS and Android OS
- Intelligent Analytics
- NDA Compliant

DIMENSIONS

Unit : inch(mm)



OPTIONAL ACCESSORIES



AVM-MDMT-W-TL1
JUNCTION BOX



AVM-MWMT-W-TL1
WALL MOUNT



AVM-P-CMT
CORNER MOUNT BRACKET



AVM-P-PMT
POLE MOUNT BRACKET

SPECIFICATIONS

CAMERA					
Image Sensor	1/3" Progressive Scan CMOS				
Image Size	2592 x 1520				
Shutter Speed	1/3s to 1/100,000s				
Iris Type	DC Iris				
Min. Illumination	Color: 0.005 lux @ F1.6(AGC ON); BW: 0 lux with IR				
IR Distance	Up to 164ft				
Lens	Motorized 2.8 ~ 12mm @ F1.4 Horizontal FoV: 93° ~ 31.8° Vertical FoV: 53° ~ 19° Diagonal FoV: 108° ~ 36°				
Lens Mount	Ø14				
Day & Night	ICR				
Wide Dynamic Range	120dB				
Digital NR	3D DNR				
Backlight Compensation (BLC)	Yes				
Highlight Compensation (HLC)	Yes				
Defog	Yes				
Angle Adjustment	Pan: 0°~345° ; Tilt: 0°~77° ; Rotation:0°~345°				
VIDEO IMAGE					
Video Compression	Main stream: Smart H.265 / H.265+ / H.265 / Smart H.264 / H.264+ / H.264 Sub/third stream: H.265+ / H.265 / H.264+ / H.264 / MJPEG				
H.264 Compression Standard	Baseline Profile/Main Profile/High Profile				
Resolution	4MP (2592×1520), 2K (2560×1440), 3MP (2304×1296), 1080P (1920×1080), 720P (1280×720), D1, CIF, 480×240				
Main Stream	60Hz: 4MP/2K/3MP/1080P/720P (1~30fps); 50Hz: 4MP/2K/3MP/1080P/720P (1~25fps); HFR mode: 1080P/720P (60Hz: 1~60fps; 50Hz: 1~50fps)				
Sub Stream	60Hz: 720P/D1/CIF/480x240 (1~30fps); 50Hz: 720P/D1/CIF/480x240 (1~25fps)				
Third Stream	60Hz: D1/480x240/CIF (1~30fps); 50Hz: D1/480x240/CIF (1~25fps.)				
Video Bit Rate	64 Kbps ~ 8 Mbps (CBR / VBR Adjustable)				
Image Settings	ROI, Saturation, Brightness, Hue, Contrast, Wide Dynamic, Sharpness, Image Mirror, Image Flip, NR, etc. adjustable through client software or web browser				
ROI	Each ROI to be configured separately				
NETWORK / INTERFACE					
Network	1 x RJ45 10M / 100M Self-Adaptive Ethernet port				
Network Protocol	UDP, DHCP, NTP, RTSP, PPPoE, DDNS, SMTP, FTP, SNMP,HTTP, 802.1x, UPnP, HTTPS, HTTP POST, QoS				
Interface Protocol	ONVIF				
Web Browser	IE11 (Plug-in required) / Google Chrome 89.0+ / Edge 89.0+ / Firefox 87.0+ / Safari 14.0+				
Online Connection	Support simultaneous monitoring for up to 10 users; Support multi-stream real time transmission				
Storage	Micro SD/SDHC/SDXC Slot (up to 256GB) with video and still image capture function				
Video Output	CVBS output (BNC x 1)				
Audio	1CH audio input; 1CH audio output; 1CH build-in MIC				
Audio Compression	G711A / U				
Alarm	1CH alarm input; 1CH alarm output				
Hardware Reset	Yes				
DORI DISTANCE					
	Lens	Detect	Observe	Recognize	Identify
	2.8 ~ 12mm (W)	204.49ft (62.33m)	81.79ft (24.93m)	40.91ft (12.47m)	20.43ft (6.23m)
	2.8 ~ 12mm (T)	667.35ft (203.41m)	266.92ft (81.36m)	133.46ft (40.68m)	66.73ft (20.34m)
FUNCTION					
Remote Monitoring	Web Browser Interface, Mobile App, AVYCON CVMS 2.0				
Smart Alarm	Motion detection, sensor detection, SD card error, SD card full, IP address conflict, cable disconnection				
Smart Analytics	Line crossing, region intrusion/entrance/exiting detection (human/motor vehicle/non-motor vehicle classification), abandoned /missing object detection, Target counting by line/intrusion area/heat map, exception detection, face detection and face capture				
General Function	Watermark, IP address filtering, video mask, heartbeat, password protection, image distortion correction, corridor pattern				
GENERAL					
Power Supply	DC12V / PoE (IEEE802.3af)				
Power Consumption	<8W				
Operating Environment	-30°C ~ 60°C (-22°F ~ 140°F)Humidity: less than 95% (non-condensing)				
Storage Environment	-30°C ~ 65°C (-22°F ~ 149°F)Humidity: less than 95% (non-condensing)				
Dimensions (in)	Ø 5.92 × 4.49				
Weight (lb)	Approx. 2.50 lbs				
Ingress Protection	IP 67 & IK 10				
Certificate	CE, FCC				
Installation	Ceiling mounting; Wall mounting				
Environmental Protection	Complies with Directive EU RoHS, WEEE(2012/19/EU), directive 94/62/EC and REACH (EC1907/2006)				